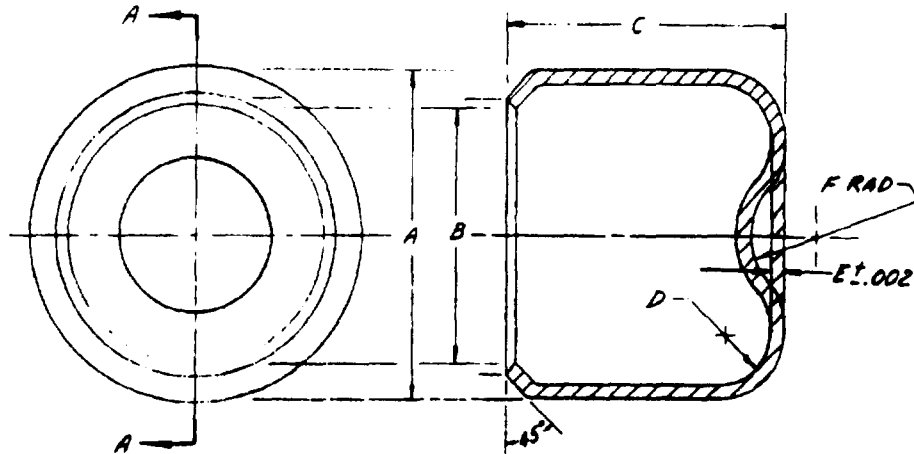


FED. SUP CLASS  
5340



SECTION A-A

F RADIUS OPTIONAL

DASH NUMBER CLASS 1 CLASS 2	DASH NUMBER STEEL	STRAP WIDTH	A	B	C	D	E		F
							BRASS	STEEL	
-1	-6	5/8	.450	.340	.500	.125	.0253	.022 SHEET .0239 STRIP	—
-2	-7	3/4	.560	.470	.600	.150	.0253	.022 SHEET .0239 STRIP	—
-3	-8	1	.680	.562	.600	.175	.0253	.022 SHEET .0239 STRIP	.500
-4	-9	1 1/4	.850	.680	.750	.175	.0253	.022 SHEET .0239 STRIP	.625
-5	-	1 1/2	1.021	.880	.830	.300	.0253		1.062

NOTES

1. MATERIAL - IN ACCORDANCE WITH PROCUREMENT SPECIFICATION.
2. FINISH - IN ACCORDANCE WITH PROCUREMENT SPECIFICATION.
3. DIMENSIONS - IN INCHES.
4. TOLERANCES - DECIMALS ± .015; DIMENSIONS ± 5° EXCEPT WHERE OTHERWISE NOTED.
5. PART NUMBER - THE PART NUMBER CONSISTS OF THE MS NUMBER PLUS THE DASH NUMBER.  
EXAMPLE: MS 51926-1, THIS DESIGNATES A BRASS CLIP FOR A 5/8 INCH STRAP WIDTH.
6. FOR DESIGN FEATURE PURPOSES, THIS STANDARD TAKES PRECEDENCE OVER PROCUREMENT DOCUMENTS REFERENCED HEREIN.
7. REFERENCED DOCUMENTS SHALL BE OF THE ISSUE IN EFFECT ON DATE OF INVITATION FOR BID OR REQUEST FOR PROPOSAL.

ⓑ ENTIRE STANDARD REVISED

USE:  
ARMY - GL  
NAVY - YD  
USAF - 02, 8;  
AF - MC, TD  
MC, 8;

This military standard is mandatory for use by all Department and Agencies of the Department of Defense. Selection for all new engineering and design applications and for repetitive use shall be made from this document.

P.A. ARMY GL Other Code NAVY - YD USAF - 02	TITLE CLIPS, END, STRAP-TYPE I, CLASS 1 AND CLASS 2	MILITARY STANDARD MS 51926
PROCUREMENT SPECIFICATION MIL-C-496	SUPERSEDES NLABS DWG NO. 4-1-48	SHEET 1 OF 1

DD FORM 672-1 (Continued)

PROVIDED TO YOU BY THE ARMY AND NAVY, ETC.

APPROVED 8 OCT 1962 REVISED 14 29 AUG 1967 29 MAY 1969